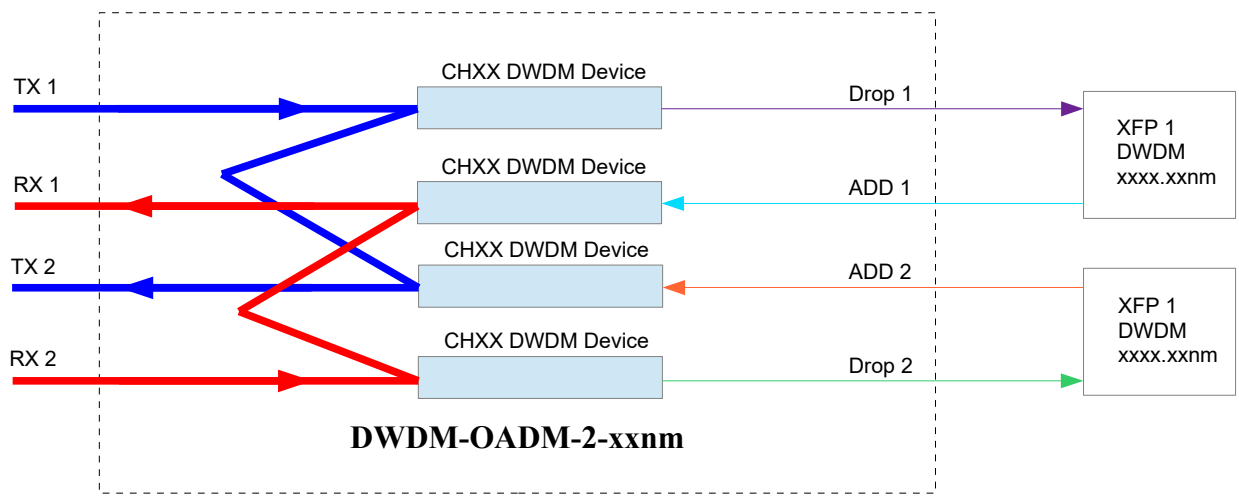
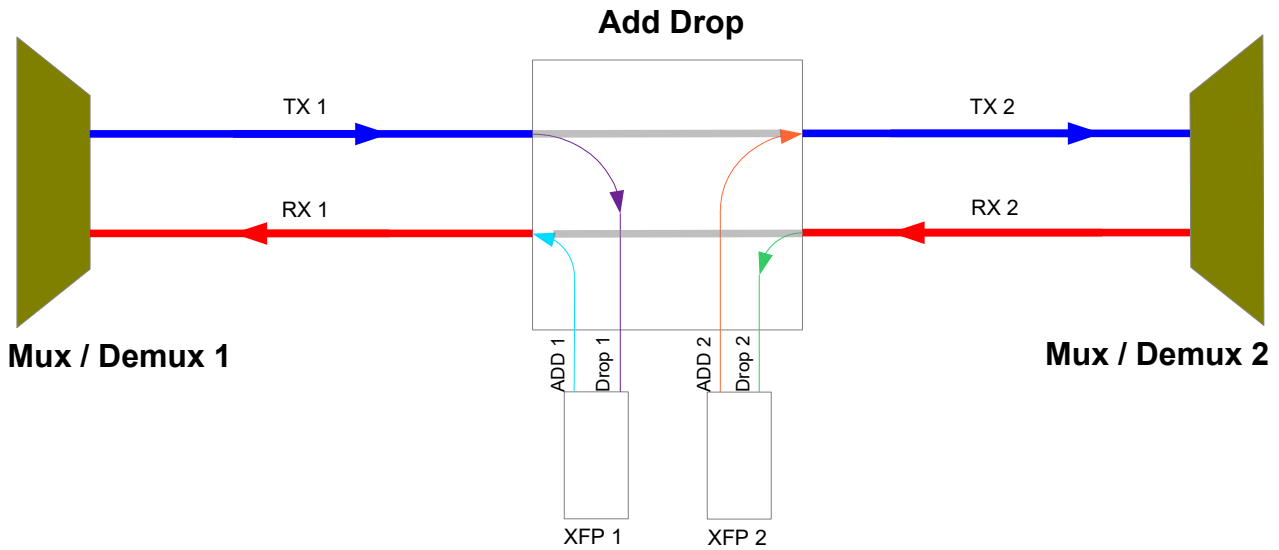


DWDM Add Drop module, LC, 19"



Технические характеристики:

Parameter	
Express Channel	C Band 100GHz except for CHxx
Add Drop Channel	Chxx, ITU 100 GHz Grid, C60-C29 channels
Center Wavelength Accuracy (nm)	+/-0.05

Channel Passband (@-0.5dB bandwidth) (nm)	≥ 0.22
IL @Express Channel TX1 to TX2	≤ 1.0 dB
IL @Express Channel RX2 to RX1	≤ 1.0 dB
Express Channel Isolation	≥ 22 dB
IL @ Drop 1	≤ 1.2 dB
IL @ Drop 2	≤ 1.2 dB
IL @ ADD 1	≤ 1.2 dB
IL @ ADD 2	≤ 1.2 dB
Add Drop Channel Isolation	≥ 25 dB
Optical Power Handling	≥ 300 mW
Operating Temperature	0 to +70°C
Storage Temperature	-30 to +85°C
Connector Type	4 pcs LC/UPC duplex
Packaging Dimension	19" 1U-height Patch panel type