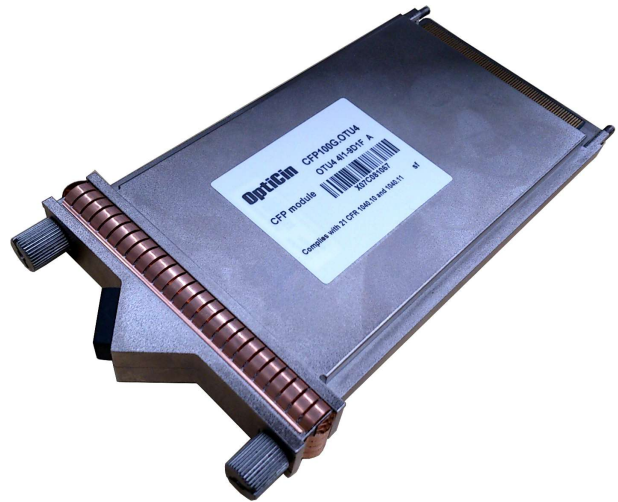


Single-Mode OTU4 4I1-9D1F CFP Transceiver



Особенности:

- 112Gbps aggregate bit rates
- single 3.3V Power Supply
- Power dissipation < 16W
- Up to 10km transmission on SMF
- Hot-Pluggable CFP Footprint Duplex LC Connector Interface
- Class 1 FDA and IEC60825-1 Laser Safety Compliant
- RoHS6 Compliant
- Operating Case Temperature Standard: 0°C~+70°C
- Compliant with CFP MSA Specification
- MDIO interface with integrated Digital Diagnostic Monitoring
- XLAUI electrical interface

Области применения:

- OTU4 4I1-9D1F

Part No.	Data Rate	Fiber	Distance ^{*(note1)}	Interface	Temp.	DDMI
CFP100G.OTU4	112Gbps	SMF	10km	LC	Standard	Yes

Note1: 10km with 9/125μm SMF

Absolute Maximum Ratings

Parameter	Symbol	Min.	Max.	Unit
Storage Temperature	T _s	-40	+85	°C
Supply Voltage	V _{cc}	-0.5	3.6	V
Operating Relative Humidity	RH	5	85	%

*Exceeding any one of these values may destroy the device immediately.

Recommended Operating Conditions

Parameter	Symbol	Min.	Typical	Max.	Unit
Operating Case Temperature	T _A CFP100G.OTU4	0		+70	°C
Power Supply Voltage	V _{cc}	3.135	3.3	3.465	V
Power Supply Current	I _{cc}		4000		mA

Performance Specifications - Electrical

Parameter	Symbol	Min.	Typ.	Max	Unit	Notes
Transmitter						
Input Amplitude (Differential)	V _{in}	150		1050	mVpp	AC coupled inputs*(Note6)
Input Impedance (Differential)	Z _{in}	85	100	115	ohms	R _{in} > 100 kohms @ DC
Receiver						
Output Amplitude (Differential)	V _{out}	340		770	mVpp	AC coupled outputs*(Note6)
Output Impedance (Differential)	Z _{out}	85	100	115	ohms	
Output Rise/Fall Time	t _r /t _f	24			ps	20%~80%

1.2V MDIO Interface Specifications

Parameter	Symbol	Min.	Typ.	Max	Unit	Notes
Input Voltage	V _{IH}	0.84		1.5	V	
	V _{IL}	-0.3		0.36	V	
Input Leak current	I _{IN}	-100		100	uA	
Output Voltage	V _{OH}	1.0		1.5	V	
	V _{OL}	-0.3		0.2	V	
Input Capacitance	C _I			10	pF	
Input MDC Clock	f _{MDC}	0.1		4	MHz	
MDC Clock Period	T _{MDC}	250		10000	ns	
MDIO Hold Time	T _{hold}	10			ns	
MDIO SetupTime	T _{setup}	10			ns	
GLB_ALM	T _{glb_alm_ass}			150	ms	
	T _{glb_alm_dea}			150	ms	

Optical and Electrical Characteristics

Parameter	Symbol	Min.	Typical	Max.	Unit
Transmitter					
Signaling Speed per Lane	BR _{AVE}		27.95		Gbps
Lane_0 Center Wavelength	λ _{C0}	1294.53	1295.56	1296.59	nm
Lane_1 Center Wavelength	λ _{C1}	1299.02	1300.05	1301.09	nm
Lane_2 Center Wavelength	λ _{C2}	1303.54	1304.58	1305.63	nm
Lane_3 Center Wavelength	λ _{C3}	1308.09	1309.14	1310.19	nm

Total Average Output Power ^{*(Note4)}	P _o	-		8.9	dBm
Average Launch Power per Lane	P _{each}	-2.5		2.9	dBm
Side Mode Suppression Ratio	SMSR	30			dB
Optical Return Loss Tolerance				20	dB
Extinction Ratio ^{*(Note5)}	ER	7			dB
Transmitter eye mask definition {X1, X2, X3, Y1, Y2, Y3} ^{*(Note5)}		G.959.1 Compliant			
TX Disable Assert Time	t _{off}			100	us
Receiver					
Signaling Speed per Lane	BR _{AVE}		27.95		Gbps
Lane_0 Center Wavelength	λ _{C0}	1294.53	1295.56	1296.59	nm
Lane_1 Center Wavelength	λ _{C1}	1299.02	1300.05	1301.09	nm
Lane_2 Center Wavelength	λ _{C2}	1303.54	1304.58	1305.63	nm
Lane_3 Center Wavelength	λ _{C3}	1308.09	1309.14	1310.19	nm
Average Receive Power per Lane	R _{pow}	-8.8		2.9	dBm
Receive Sensitivity per Lane ^{*(Note7)}	P _{min}			-10.3	dBm
Receiver Overload	P _{max}	5.5			dBm
Optical Return Loss	ORL			-26	dB
LOS Assert	LOSA	-12.7			dBm
LOS De-Assert	LOSD			-10.7	dBm
LOS Hysteresis		0.5			dB

Note4: Output is coupled into a 9/125μm single-mode fiber.

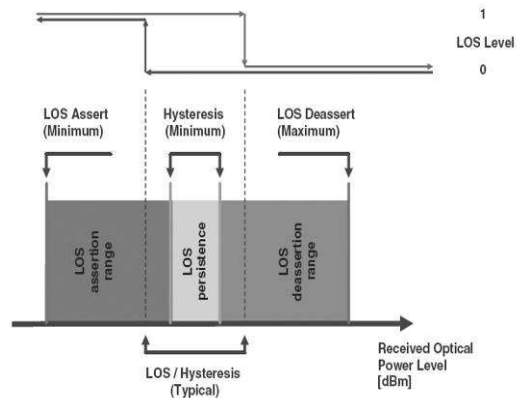
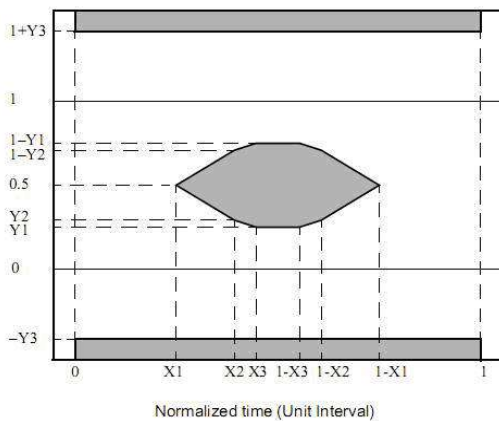
Note5: Filtered, measured with a PRBS 2³¹-1 test pattern @27.95Gbps

Note6: High speed I/O, internally AC coupled.

Note7: Minimum average optical power measured at BER less than 1E-12, with a 2³¹-1 PRBS.

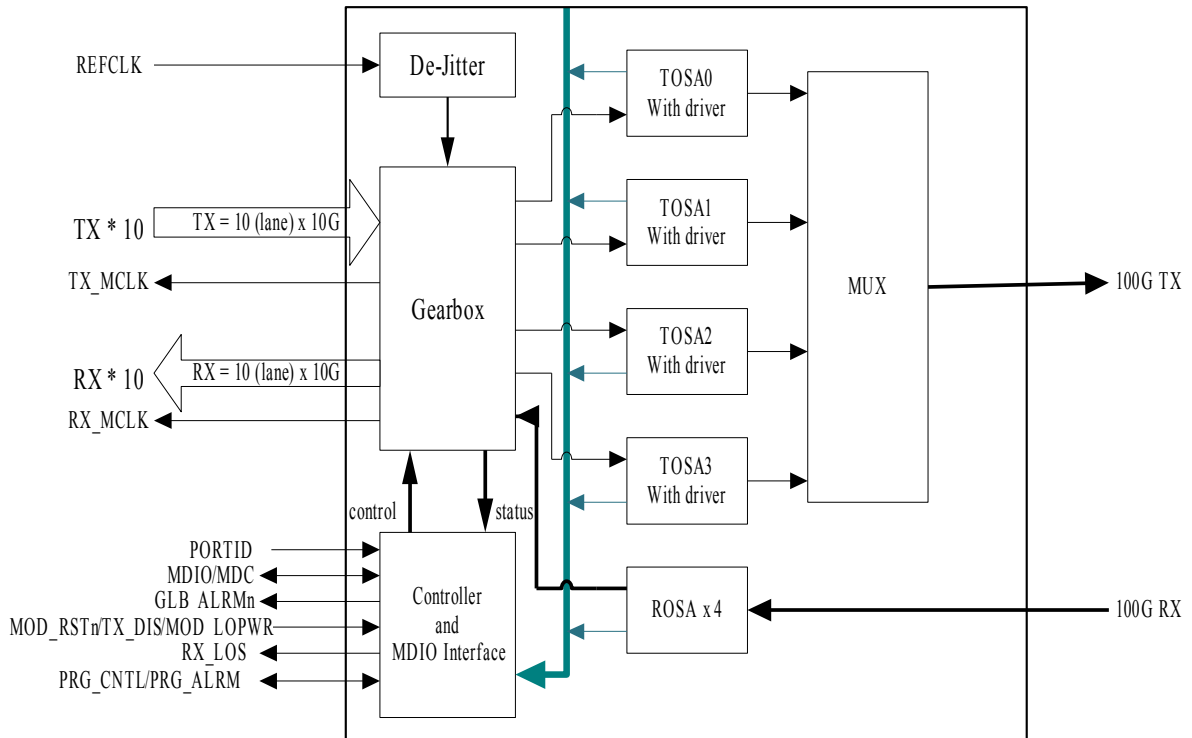
Note8: Eye Pattern Mask

Note9: LOS Hysteresis

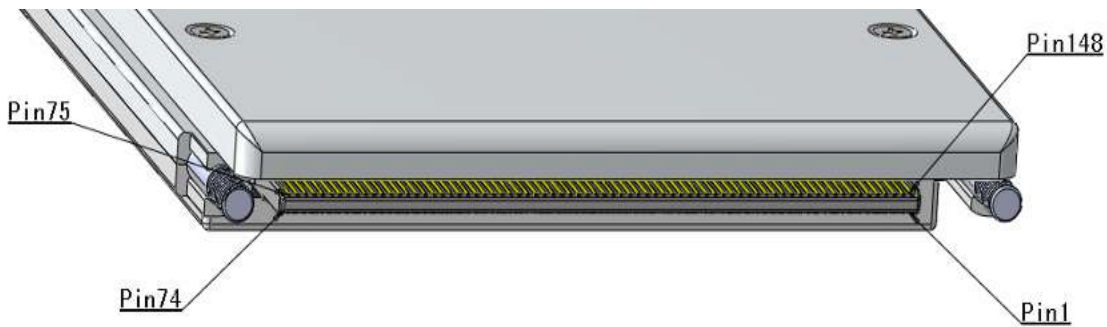


Note10: Filtered, measured with a PRBS 2³¹-1 test pattern @25.78Gbps

Functional Description of Transceiver



CFP Transceiver Electrical Pad Layout



Pin Function Definitions

CFP			
Top Row			
148	GND	111	GND
147	REFCLKn	110	N.C.
146	REFCLKp	109	N.C.
145	GND	108	GND
144	N.C.	107	N.C.
143	N.C.	106	N.C.

CFP			
Bottom Row			
1	3.3V_GND	38	MOD_ABS
2	3.3V_GND	39	MOD_RSTn
3	3.3V_GND	40	RX_LOS
4	3.3V_GND	41	GLB_ALRMn
5	3.3V_GND	42	PRTADR4
6	3.3V	43	PRTADR3

142	GND	105	GND
141	N.C.	104	N.C.
140	N.C.	103	N.C.
139	GND	102	GND
138	N.C.	101	N.C.
137	N.C.	100	N.C.
136	GND	99	GND
135	N.C.	98	N.C.
134	N.C.	97	N.C.
133	GND	96	GND
132	N.C.	95	N.C.
131	N.C.	94	N.C.
130	GND	93	GND
129	N.C.	92	N.C.
128	N.C.	91	N.C.
127	GND	90	GND
126	N.C.	89	RX3n
125	N.C.	88	RX3p
124	GND	87	GND
123	TX3n	86	RX2n
122	TX3p	85	RX2p
121	GND	84	GND
120	TX2n	83	RX1n
119	TX2p	82	RX1p
118	GND	81	GND
117	TX1n	80	RX0n
116	TX1p	79	RX0p
115	GND	78	GND
114	TX0n	77	(RX_MCLKn)
113	TX0p	76	(RX_MCLKp)
112	GND	75	GND

7	3.3V	44	PRTADR2
8	3.3V	45	PRTADR1
9	3.3V	46	PRTADR0
10	3.3V	47	MDIO
11	3.3V	48	MDC
12	3.3V	49	GND
13	3.3V	50	VND_IO_F
14	3.3V	51	VND_IO_G
15	3.3V	52	GND
16	3.3V_GND	53	VND_IO_H
17	3.3V_GND	54	VND_IO_J
18	3.3V_GND	55	3.3V_GND
19	3.3V_GND	56	3.3V_GND
20	3.3V_GND	57	3.3V_GND
21	VND_IO_A	58	3.3V_GND
22	VND_IO_B	59	3.3V_GND
23	GND	60	3.3V
24	(TX_MCLKn)	61	3.3V
25	(TX_MCLKp)	62	3.3V
26	GND	63	3.3V
27	VND_IO_C	64	3.3V
28	VND_IO_D	65	3.3V
29	VND_IO_E	66	3.3V
30	PRG_CNTL1	67	3.3V
31	PRG_CNTL2	68	3.3V
32	PRG_CNTL3	69	3.3V
33	PRG_ALARM1	70	3.3V_GND
34	PRG_ALARM2	71	3.3V_GND
35	PRG_ALARM3	72	3.3V_GND
36	TX_DIS	73	3.3V_GND
37	MOD_LOPWR	74	3.3V_GND

Bottom Row Pin Descriptions

Pin Num.	Name	Function	Notes
1	3.3V_GND	Ground	3.3V Module Supply Ground, Internally connected to Signal Ground
2	3.3V_GND		
3	3.3V_GND		
4	3.3V_GND		

5	3.3V_GND		
6	3.3V	3.3V Module Supply Voltage	3.3V ± 5%
7	3.3V		
8	3.3V		
9	3.3V		
10	3.3V		
11	3.3V		
12	3.3V		
13	3.3V		
14	3.3V		
15	3.3V		
16	3.3V_GND	Ground	3.3V Module Supply Ground, Internally connected to Signal Ground
17	3.3V_GND		
18	3.3V_GND		
19	3.3V_GND		
20	3.3V_GND		
21	VND_IO_A	I/O	Module Vendor I/O, NC
22	VND_IO_B	I/O	Module Vendor I/O, NC
23	GND	Ground	Signal Ground
24	TX_MCLKn	Tx Monitor Clock O	Tx Monitor Clock Output
25	TX_MCLKp		
26	GND	Ground	Signal Ground
27	VND_IO_C	I/O	Module Vendor I/O, Must not connect at host board
28	VND_IO_D	I/O	Module Vendor I/O, Must not connect at host board
29	VND_IO_E	I/O	Module Vendor I/O, Must not connect at host board
30	PRG_CNTL1	I	LVCOMS
31	PRG_CNTL2	I	LVCOMS
32	PRG_CNTL3	I	LVCOMS
33	PRG_ALARM1	O	LVCOMS
34	PRG_ALARM2	O	LVCOMS
35	PRG_ALARM3	O	LVCOMS
36	TX_DIS	Transmitter Disable I	"1" or NC = transmitter disabled, "0" = transmitter enabled
37	MOD_LOPW R	Module Low Power Mode I	"1" or NC: module in low power (safe) mode, "0": power-on enabled

38	MOD_ABS	Module Absent O	"1" or NC: module absent, "0": module present
39	MOD_RSTn	Module Reset I	"0" resets the module, "1" or NC = module enabled
40	RX_LOS	Loss of Signal O	"1": low optical signal, "0": normal condition
41	GLB_ALRMn	Global Alarm O	"0": alarm condition in any MDIO Alarm register, "1": no alarm condition
42	PRTADR4	1.2V CMOS I	MDIO Physical Port address bit4
43	PRTADR3	1.2V CMOS I	MDIO Physical Port address bit3
44	PRTADR2	1.2V CMOS I	MDIO Physical Port address bit2
45	PRTADR1	1.2V CMOS I	MDIO Physical Port address bit1
46	PRTADR0	1.2V CMOS I	MDIO Physical Port address bit0
47	MDIO	1.2V CMOS I/O	Management Data I/O bi-directional data
48	MDC	1.2V CMOS I	Management Data Clock
49	GND	Ground	Signal Ground
50	VND_IO_F	I/O	Module Vendor I/O, Not Connected Internally
51	VND_IO_G	I/O	Module Vendor I/O, Not Connected Internally
52	GND	Ground	Signal Ground
53	VND_IO_H	I/O	Module Vendor I/O, Not Connected Internally
54	VND_IO_J	I/O	Module Vendor I/O, Not Connected Internally
55	3.3V_GND	Ground	3.3V Module Supply Ground, Internally connected to Signal Ground
56	3.3V_GND		
57	3.3V_GND		
58	3.3V_GND		
59	3.3V_GND		
60	3.3V	3.3V Module Supply Voltage	3.3V ± 5%
61	3.3V		

62	3.3V		
63	3.3V		
64	3.3V		
65	3.3V		
66	3.3V		
67	3.3V		
68	3.3V		
69	3.3V		
70	3.3V_GND	Ground	3.3V Module Supply Ground, Internally connected to Signal Ground
71	3.3V_GND		
72	3.3V_GND		
73	3.3V_GND		
74	3.3V_GND		

Top Row Pin Descriptions

Pin Num.	Name	Function	Notes
148	GND	Ground	Signal Ground
147	REFCLKn	Reference Clock I	Reference Clock Input
146	REFCLKp		
145	GND	Ground	Signal Ground
144	N.C.		Not Connected Internally
143	N.C.		Not Connected Internally
142	GND	Ground	Signal Ground
141	TX9n	Lane 9 Tx Input I	CML Input
140	TX9p		
139	GND	Ground	Signal Ground
138	TX8n	Lane 8 Tx Input I	CML Input
137	TX8p		
136	GND	Ground	Signal Ground
135	TX7n	Lane 7 Tx Input I	CML Input
134	TX7p		
133	GND	Ground	Signal Ground
132	TX6n	Lane 6 Tx Input I	CML Input
131	TX6p		
130	GND	Ground	Signal Ground
129	TX5n	Lane 5 Tx Input I	CML Input
128	TX5p		
127	GND	Ground	Signal Ground
126	TX4n	Lane 4 Tx Input I	CML Input
125	TX4p		

124	GND	Ground	Signal Ground
123	TX3n	Lane 3 Tx Input I	CML Input
122	TX3p		
121	GND	Ground	Signal Ground
120	TX2n	Lane 2 Tx Input I	CML Input
119	TX2p		
118	GND	Ground	Signal Ground
117	TX1n	Lane 1 Tx Input I	CML Input
116	TX1p		
115	GND	Ground	Signal Ground
114	TX0n	Lane 0 Tx Input I	CML Input
113	TX0p		
112	GND	Ground	Signal Ground
111	GND	Ground	Signal Ground
110	N.C.		Not Connected Internally
109	N.C.		Not Connected Internally
108	GND	Ground	Signal Ground
107	RX9n	Lane 9 Rx Output O	CML Output
106	RX9p		
105	GND	Ground	Signal Ground
104	RX8n	Lane 8 Rx Output O	CML Output
103	RX8p		
102	GND	Ground	Signal Ground
101	RX7n	Lane 7 Rx Output O	CML Output
100	RX7p		
99	GND	Ground	Signal Ground
98	RX6n	Lane 6 Rx Output O	CML Output
97	RX6p		
96	GND	Ground	Signal Ground
95	RX5n	Lane 5 Rx Output O	CML Output
94	RX5p		
93	GND	Ground	Signal Ground
92	RX4n	Lane 4 Rx Output O	CML Output
91	RX4p		
90	GND	Ground	Signal Ground
89	RX3n	Lane 3 Rx Output O	CML Output
88	RX3p		
87	GND	Ground	Signal Ground
86	RX2n	Lane 2 Rx Output O	CML Output
85	RX2p		

84	GND	Ground	Signal Ground
83	RX1n	Lane 1 Rx Output O	CML Output
82	RX1p		
81	GND	Ground	Signal Ground
80	RX0n	Lane 0 Rx Output O	CML Output
79	RX0p		
78	GND	Ground	Signal Ground
77	RX_MCLKn	Rx Monitor Clock O	Rx Monitor Clock Output
76	RX_MCLKp		
75	GND	Ground	Signal Ground

Mechanical Specifications

